

### Butterfly Valves PN10/145PSI, PN16/232PSI

Three-Piece, Clamp Connection, Handle  
Sealing Material Comply to FDA177.1210/2600  
Dimensions to ISO2852, DIN32676  
Temperature Range: -20°C~120°C/-4°F~248°F

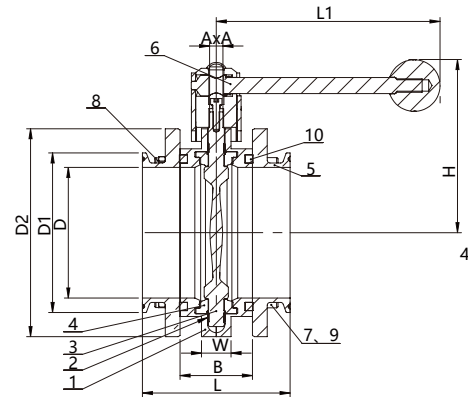
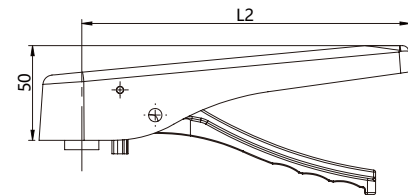


HB7126-C

| Materials |                 |                      |
|-----------|-----------------|----------------------|
| No.       | Part            | Specification        |
| 1         | Body            | ANSI 304/316L        |
| 2         | Bushing         | PTFE                 |
| 3         | Disc            | ANSI 304/316L        |
| 4         | Seat            | EPDM, NBR, PTFE, FPM |
| 5         | Clamp Cover     | ANSI 304/316L        |
| 6         | Handle/Lever    | ANSI 304             |
| 7         | Bolt            | ANSI 304             |
| 8         | Nut             | ANSI 304             |
| 9         | Gasket          | ANSI 304             |
| 10        | U-shaped Washer | EPDM, FPM            |

\* The valve body material can be selected as 304 or 316.

\* The working pressure of model 7123 is 10 Bar;  
The working pressure of model 7126 is 16 Bar.



| Dimensions (ISO/DIN) |              |               |               |     |     |     |     |       |    |    |
|----------------------|--------------|---------------|---------------|-----|-----|-----|-----|-------|----|----|
| Size/In              | D<br>ISO/DIN | D1<br>ISO/DIN | D2<br>ISO/DIN | L   | L1  | L2  | H   | AxA   | W  | B  |
| ¾                    | 15.8/19      | 34            | 78            | 110 | 135 | 160 | 80  | 8x8   | 20 | 54 |
| 1                    | 21.8/25      | 50.5          | 78            | 110 | 135 | 160 | 80  | 8x8   | 22 | 54 |
| 1¼                   | 28.6/31      | 50.5          | 78            | 110 | 135 | 160 | 80  | 8x8   | 22 | 54 |
| 1½                   | 34.8/37      | 50.5          | 85            | 110 | 135 | 160 | 85  | 8x8   | 22 | 54 |
| 2                    | 47.8/49      | 64            | 100           | 110 | 135 | 160 | 95  | 8x8   | 22 | 54 |
| 2½                   | 60.3/66      | 77.5/91       | 110           | 110 | 160 | 160 | 100 | 10x10 | 22 | 54 |
| 3                    | 72.9/81      | 91/106        | 125/139       | 110 | 160 | 160 | 110 | 10x10 | 22 | 54 |
| 4                    | 97.6/100     | 119           | 155           | 110 | 160 | 160 | 130 | 10x10 | 22 | 54 |
| 5                    | 129/125      | 145/144.5     | 185           | 140 | 192 | 185 | 145 | 14x14 | 26 | 70 |
| 6                    | 153/150      | 183           | 215           | 140 | 219 | 185 | 160 | 14x14 | 26 | 70 |
| 8                    | 213.9/200    | 233.5         | 285           | 160 | 295 | 185 | 195 | 17x17 | 36 | 80 |

♦Please consult the factory for 3A and other standard sizes such as ASME BPE, BS4825, etc.